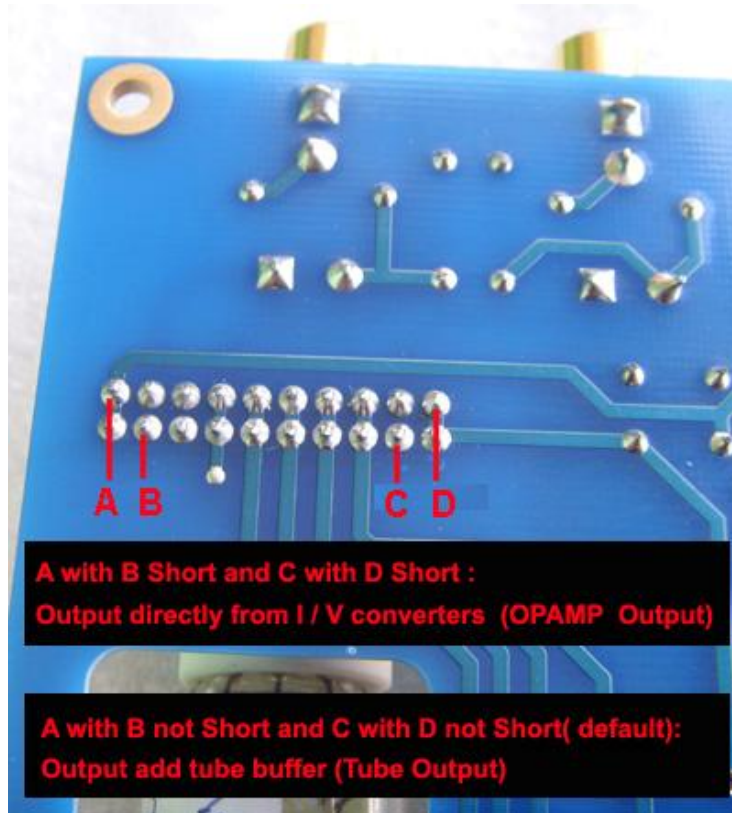
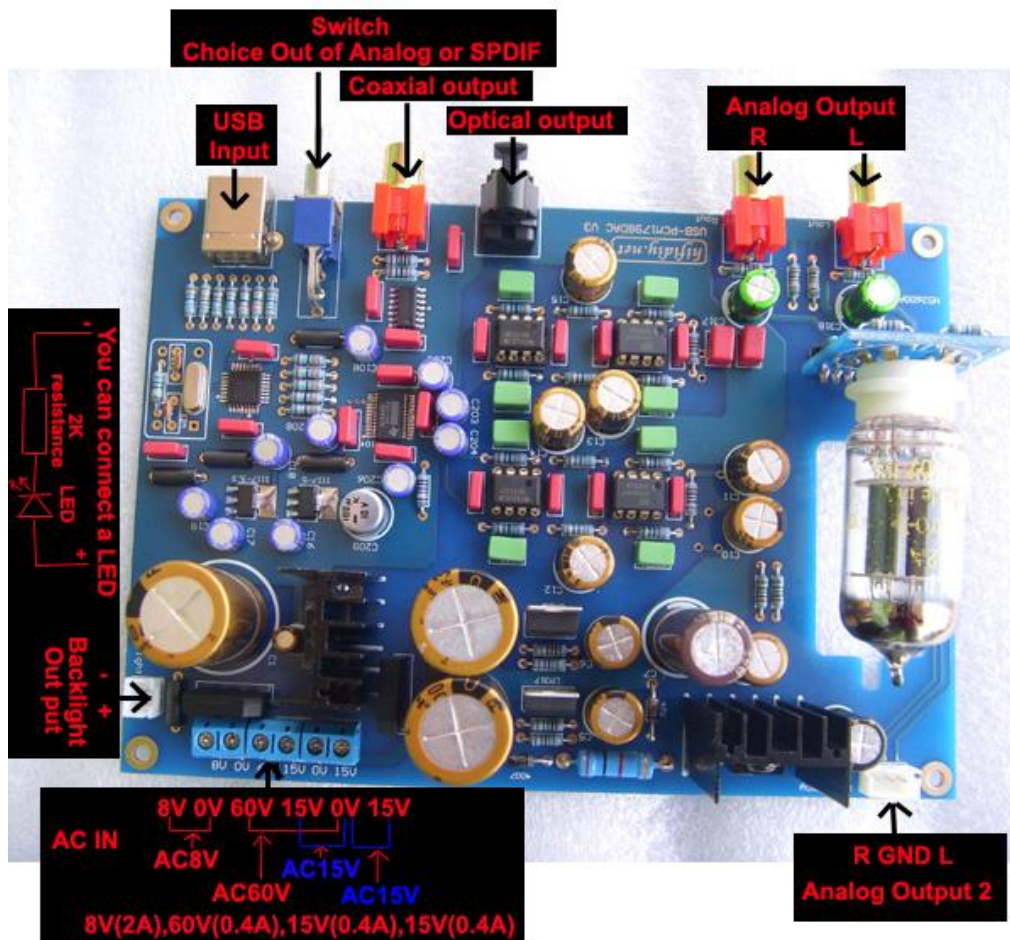


USB_1798 DAC Board

The USB DAC output you could select directly from I/V converters or add tube buffer.



All Jack function:



This AC60V(0.4A) you also can use AC60V(0.2A)