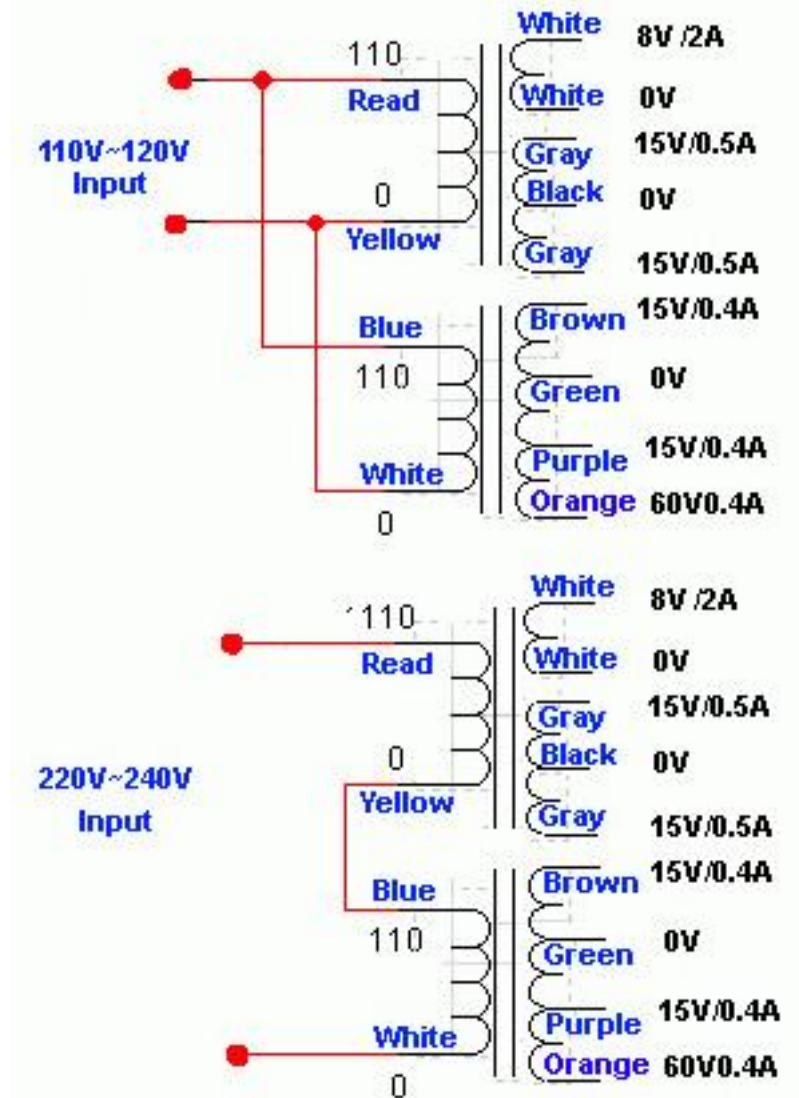


56W R Core Transformer, 110V//200V, for USB_1798DAC

Universal transformer, work with 110~120V or 220~240V AC.



It with usb_1798dac's Connect:



This 15V-0-15V(0.5A) (Reserved for your Headphone amplifier board)